

SPIROCOMBI® MAGNET
SPIROTRAP® MAGNET

Magnetite: circulation or removal?

NEW

SpiroCombi and SpiroTrap
with built-in magnet for
even faster dirt separation



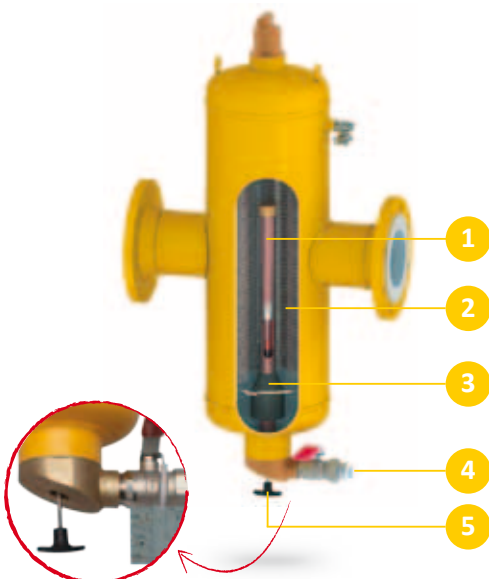
The safest and most user-friendly way to remove dirt from large systems

The SpiroCombi Magnet and SpiroTrap Magnet collect magnetic and non-magnetic dirt particles in pipe systems quickly and effectively. In particular, the user-friendly design and high level of safety make these products unique. Dirt is discharged in no time at all.

Benefits SpiroCombi and SpiroTrap with magnet

- Provides superb protection for pumps with magnetic rotors and other expensive system components against (magnetic) dirt.
- Extremely easy to use: dirt is discharged quite easily using a drag mechanism.
- No safety risks: the magnet remains in the unit.
- Maintenance-free magnet.
- No additional space required for installation (in height).
- Robust and leak-free, with large-volume dirt collection capacity.
- Highly efficient separation of both magnetic and non-magnetic dirt particles (from 5 µm!).
- 5-year guarantee.

1. The dry-pocket construction is at the core and specially designed for the optimum collection of magnetite.
2. The unique SpiroTube. This component carries out deaeration and dirt separation and has very low resistance.
3. Cone. This neutralises the magnetic field: the magnetic dirt that passes this cone is discharged by releasing the magnetic force.
4. Drain valve for discharging the dirt collected.
5. Flexible drag mechanism. By sliding the mechanism downwards, magnetic dirt is dragged via the dry-pocket construction and collects at the bottom of the unit.



COMMERCIAL | INDUSTRY

SPIRO  **TECH**
FOR BETTER PERFORMANCE

Deaerator and dirt separator with unique magnetic field booster technology

Provides superb protection for pumps with magnetic rotors and other expensive system components against magnetite.

In particular, the new generation of pumps with magnetic rotors attracts magnetic dirt which settles on expensive components and speeds up the process of wear. The result: reduced performance due to the impaired functioning of the boiler, faults and sometimes even failure.

The SpiroCombi Magnet and SpiroTrap Magnet deliver extremely effective separation of both magnetic and non-magnetic dirt. The innovative dry-pocket construction at the core collects the magnetic dirt (magnetite). The magnetite is dragged downwards by the flexible drag mechanism and collects at the bottom of the unit. The operation of the SpiroTubes is directed inwards to ensure highly effective dirt separation and collection of all non-magnetic dirt. When the drain valve is

opened, the dirt is flushed out quickly and effectively due to the system pressure.

In particular, ease of use, simplicity and the speed with which dirt collected can be discharged have made these products an unrivalled success. The compact design of the unit means that no extra installation space is required. The magnet remains at the core of the unit, is maintenance-free and is always mounted correctly.

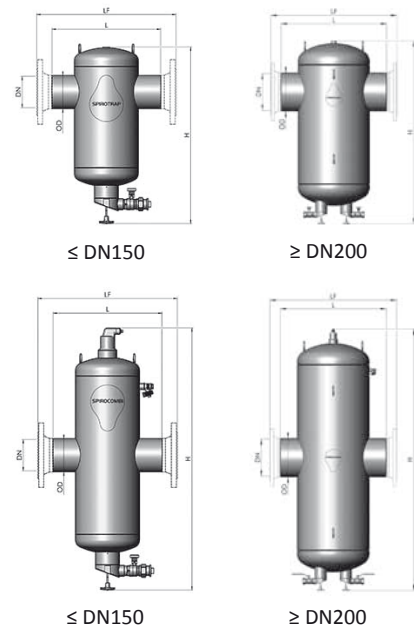


Total solutions

Spirotech offers a wide range of total solutions for HVAC and process systems: fittings, additives and advice on how to use and assure the quality of the system fluid as effectively as possible. These products and services will reduce faults, wear and maintenance and also improve the performance of the system while reducing energy consumption. These total solutions will also provide major benefits and save time when it comes to the design, installation, start-up and controlling of systems.

Technical data													
Connection [DN]	Connection OD [mm]	L [mm]	LF [mm]	No. of drypockets	Max. flow [l/s]	Max. flow [m ³ /h]	Δp at max. flow	SpiroTrap Magnet			SpiroCombi Magnet		
								H [mm]	Weight LM/FM [kg]	Article number ^{*1}	H [mm]	Weight LM/FM [kg]	Article number ^{*1}
050	60.3	260	350	1	3.5	12.5	3.0	395	8/12	BE050	555	11/16	BC050
065	76.1	260	350	1	5.5	20	2.7	395	8/14	BE065	555	11/17	BC065
080	88.9	370	470	1	7.5	27	2.9	515	16/24	BE080	710	23/30	BC080
100	114.3	370	475	1	13	47	3.7	515	16/25	BE100	710	24/32	BC100
125	139.7	525	635	1	20	72	4.2	750	40/53	BE125	1150	57/69	BC125
150	168.3	525	635	1	30	108	4.9	750	41/55	BE150	1150	57/72	BC150
200	219.1	650	775	2	50	180	5.8	900	83/105	BE200	1315	113/135	BC200
250	273.0	750	890	2	80	288	6.9	1145	135/170	BE250	1715	215/250	BC250

*1 for welded models, add LM (e.g. BE050LM), for models equipped with a flange, add FM (e.g. BE050FM)



Spirotech is part of Spiro Enterprises.



10 GRANGE ROAD
HOUSTON INDUSTRIAL ESTATE
LIVINGSTON, WEST LOTHIAN EH54 5DE
Tel : 01506-43 80 83
Fax : 01506-43 34 41
E-mail : sales@hasl.co.uk
Internet : www.hasl.co.uk

www.spirotech.co.uk

Drawings and situations in this brochure are only examples. We would be pleased to give you advice regarding more specific situations. Amendments and printing and typing errors reserved. © Copyright Spirotech bv. No part of this publication may be used without prior written consent from Spirotech bv.

