

OUTPUT FROM 70 TO 1300 KW

EFFICIENCY



REX

THREE PASS REVERSE FLAME WET BACK

The REX boiler is a three pass reverse flame horizontal firetube boiler suitable for use on liquid and gaseous fuels.

The boiler is robust, giving long life, high efficiency and easy maintenance, which are guaranteed by:

- flanged front plate without T-butt weld to the furnace
- dished furnace back and rear plate
- high water volume
- anti scale and anti condensate design
- reversible door opening
- casing made of easy-to-mount painted steel panels

Model	Boiler Code	Output	Input	Efficiency		Pressure Drop	Burner blast tube length	Burner hole Ø	Water volume	Dimensions	Weight	Ø C
		kW	kW	100%	30%							
REX 7	83801010	70	76	92,11	90,18	0,8	200-250	130	105	1030 x 750 x 994	216	200
REX 8	83801020	80	87	91,95	90,23	1,0	200-250	130	105	1030 x 750 x 994	216	200
REX 9	83802010	90	98	91,84	90,30	0,8	200-250	130	123	1030 x 750 x 1119	258	200
REX 10	83802020	100	109	91,74	90,40	1,0	200-250	130	123	1030 x 750 x 1119	258	200
REX 12	83802030	120	131	91,60	90,45	1,1	200-250	130	123	1030 x 750 x 1119	258	200
REX 15	83803010	150	163	92,02	91,15	1,2	200-250	160	172	1080 x 800 x 1364	346	250
REX 20	83803020	200	218	91,74	91,36	1,9	200-250	160	172	1080 x 800 x 1364	346	250
REX 25	83804010	250	272	91,91	90,40	2,0	200-250	160	220	1080 x 800 x 1614	431	250
REX 30	83805010	300	325	92,31	90,62	2,0	200-250	180	300	1180 x 900 x 1614	475	250
REX 35	83806010	350	380	92,11	90,50	2,9	200-250	180	356	1180 x 900 x 1864	542	250
REX 40	83807010	400	433	92,38	90,81	4,1	230-280	225	360	1190 x 940 x 1872	584	250
REX 50	83808010	500	542	92,25	90,71	4,2	270-320	225	540	1380 x 1160 x 1946	853	300
REX 62	83809010	620	672	92,26	90,68	6,4	270-320	225	645	1380 x 1160 x 2235	963	300
REX 75	83810010	750	813	92,25	90,60	5,2	270-320	280	855	1510 x 1290 x 2247	1205	350
REX 85	83810020	850	921	92,29	90,73	7,2	270-320	280	855	1510 x 1290 x 2247	1205	350
REX 95	83811010	950	1030	92,23	90,70	5,2	270-320	280	950	1510 x 1290 x 2497	1417	350
REX 100	83812010	1020	1106	92,22	90,65	4,0	270-320	280	1200	1660 x 1440 x 2477	1843	400
REX 120	83812020	1200	1301	92,24	90,67	5,5	270-320	280	1200	1660 x 1440 x 2477	1843	400
REX 130	83812030	1300	1409	92,26	90,61	6,5	270-320	280	1200	1660 x 1440 x 2477	1843	400

Maximum working pressure: 5 bar

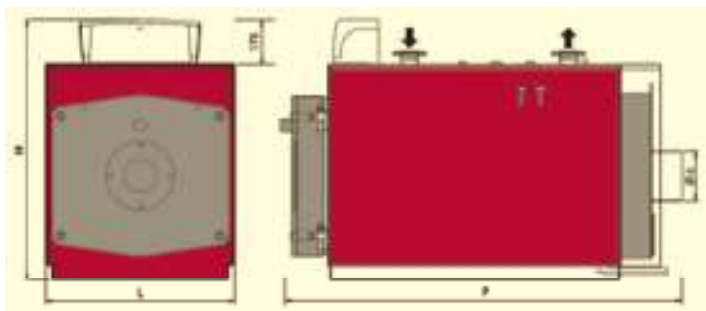
For higher pressure, please contact our Sales Dept.

Fuel: natural gas, lpg, light oil

Minimal return water temperature: 55°C



ATTENTION: THE CONTROL PANEL IS SOLD SEPARATELY FROM BOILER.
ALWAYS SPECIFY THE PANEL CODE WHEN PLACING AN ORDER CHOOSING FROM THOSE PROPOSED IN THE SECTION TO THE FOOTER.



Standard equipment

- Outer casing with high density insulation
- Turbolators
- Cleaning tool

Control Panel and Optional

	Code	For details see
Thermostatic control panel	QAC10ELM	Page 55
Control panel with digital controller RVA 43 for on/off and high/low burners	QCLI4301	Page 52
Control panel with digital controller RVA 63 for modulating burners	QCLI6301	Page 52
Calorifier sensor for controllers RVA	17120078	Page 52
Volt free kit	KITDO01	Page 54

OUTPUT FROM 1400 TO 6000 KW

EFFICIENCY



REX

THREE PASS REVERSE FLAME

The REX boiler is a three pass reverse flame horizontal firetube boiler suitable for use on liquid and gaseous fuels.

The boiler is robust, giving long life, high efficiency and easy maintenance, which are guaranteed by:

- flanged front plate without T-butt weld to the furnace
- dished furnace back and rear plate
- high water volume
- anti scale and anti condensate design
- reversible door opening
- lagged and clad with circular stucco aluminium casing which are fitted at the factory



Model	Boiler Code	Output	Input	Efficiency		Pressure Drop	Burner blast tube length	Burner hole Ø	Water volume	Dimensions	Weight	Ø C
		kW	kW	100%	30%	mbar	mm	mm	l	(H x L x P mm)	kg	mm
REX 140	83813010	1400	1517	92,29	90,36	6,0	350-400	320	1500	1746 x 1470 x 2886	2600	400
REX 160	83813020	1600	1733	92,33	90,41	6,5	350-400	320	1500	1746 x 1470 x 2886	2600	400
REX 180	83814010	1800	1950	92,31	90,50	7,0	450-500	320	1650	1746 x 1470 x 3096	2750	400
REX 200	83815010	2000	2167	92,29	90,30	6,0	450-500	360	2000	1876 x 1600 x 3220	3650	500
REX 240	83816010	2400	2600	92,31	90,60	7,5	450-500	360	2300	1876 x 1600 x 3480	3900	500
REX 300	83817010	3000	3250	92,31	90,55	8,0	450-500	400	3150	2146 x 1870 x 3480	5200	550
REX 350	83818010	3500	3792	92,30	90,20	9,0	450-500	400	3650	2146 x 1870 x 3935	5700	550
REX 400	83819010	4000	4333	92,31	91,80	9,0	450-500	400	4450	2326 x 1980 x 4310	7420	600
REX 450	83820010	4500	4865	92,50	91,90	10,0	500-550	400	4900	2326 x 1980 x 4660	7920	600
REX 500	83821010	5000	5402	92,56	91,90	10,0	500-550	450	6200	2529 x 2180 x 4729	9530	650
REX 600	83822010	6000	6480	92,59	91,90	12,0	530-580	450	6980	2529 x 2180 x 5230	11330	650

Maximum working pressure : 5 bar from REX 140 to 350
6 bar from REX 400 to 600

Fuel: natural gas, lpg, light oil, heavy oil

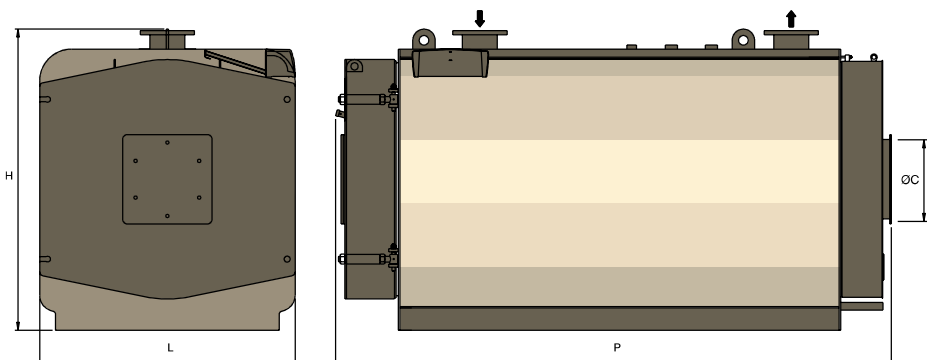
Minimal return water temperature: 55°C

For higher pressure, please contact our Sales Dept.



ATTENTION: THE CONTROL PANEL IS SOLD SEPARATELY FROM BOILER.
ALWAYS SPECIFY THE PANEL CODE WHEN PLACING AN ORDER CHOOSING FROM THOSE PROPOSED IN THE SECTION TO THE FOOTER.

* FOR BOILER FROM 400 UP TO 600 THE CONTROL PANEL IS PROVIDED AS STANDARD EQUIPMENT



Standard Equipment (REX 140-350)

- outer casing with high density insulation
- turbolators
- cleaning tool

Standard Equipment (REX 400-600)

- outer casing with high density insulation
- turbolators
- cleaning tool
- boiler thermometer
- boiler manometer
- 1st safety limit thermostat - manual reset
- 2nd safety limit thermostat - manual reset
- boiler control thermostat
- control panel IP55 1~ 230V 50 Hz

Control Panel and Optional

	Code	For details see
Thermostatic control panel	QAC10ELM	Page 55
Control panel with digital controller RVA 43 for on/off and high/low burners	QCLI4301	Page 52
Control panel with digital controller RVA 63 for modulating burners	QCLI6301	Page 52
Calorifier sensor for controllers RVA	17120078	Page 52
Volt free kit	KITDO01	Page 54