

OUTPUT FROM 70 TO 1300 KW

REX F

THREE PASS REVERSE FLAME WET BACK



The REX F boiler is a three pass reverse flame horizontal firetube boiler suitable for use on gaseous fuels. Thanks to the Fin-e ® system, the REX F boiler efficiency is rated at 3 star according to the 92/42/CEE, directive on efficiency, i.e. the maximum efficiency that can be achieved with a traditional boiler.

In addition it incorporates:

- flanged front plate without T-butt weld to the furnace
- dished furnace back and rear plate
- high water volume
- anti scale and anti condensate design
- reversible door opening
- casing made of easy-to-mount painted steel panels

Model	Boiler Code	Output	Input	Efficiency		Pressure Drop	Burner blast tube length	Burner hole Ø	Water volume	Dimensions	Weight	Ø C
		kW	kW	100%	30%	mbar	mm	mm	l	(H x L x P mm)	kg	mm
REX 7 F	83801210	70	74	94,34	94,80	0,9	200-250	130	105	1030 x 750 x 994	222	200
REX 8 F	83801220	80	84,7	94,45	94,70	1,1	200-250	130	105	1030 x 750 x 994	222	200
REX 9 F	83802210	90	95	94,54	95,00	0,9	200-250	130	123	1030 x 750 x 1119	266	200
REX 10 F	83802220	100	106	94,70	94,80	1,1	200-250	130	123	1030 x 750 x 1119	266	200
REX 12 F	83802230	120	126,5	94,86	95,10	1,3	200-250	130	123	1030 x 750 x 1119	266	200
REX 15 F	83803210	150	157,8	95,06	95,70	1,3	200-250	160	172	1080 x 800 x 1364	357	250
REX 20 F	83803220	200	210	95,24	95,30	2,2	200-250	160	172	1080 x 800 x 1364	357	250
REX 25 F	83804210	250	264	94,88	95,38	2,4	200-250	160	220	1080 x 800 x 1614	442	250
REX 30 F	83805210	300	316	95,09	95,59	2,4	200-250	180	300	1180 x 900 x 1614	489	250
REX 35 F	83806210	350	367	95,37	95,60	3,4	200-250	180	356	1180 x 900 x 1864	556	250
REX 40 F	83807210	400	420	95,24	95,40	4,7	230-280	225	360	1190 x 940 x 1822	600	250
REX 50 F	83808210	500	524	95,42	95,70	4,8	270-320	225	540	1380 x 1160 x 1946	871	300
REX 62 F	83809210	620	649	95,53	95,90	7,3	270-320	225	645	1380 x 1160 x 2235	981	300
REX 75 F	83810210	750	786	95,42	95,92	5,8	270-320	280	855	1510 x 1290 x 2247	1230	350
REX 85 F	83810220	850	891	95,40	95,80	8,0	270-320	280	855	1510 x 1290 x 2247	1230	350
REX 95 F	83811210	950	997	95,29	95,79	5,9	270-320	280	950	1510 x 1290 x 2497	1446	350
REX 100 F	83812210	1020	1069	95,42	95,80	4,5	270-320	280	1200	1660 x 1440 x 2477	1880	400
REX 120 F	83812220	1200	1259	95,31	95,81	6,2	270-320	280	1200	1660 x 1440 x 2477	1880	400
REX 130 F	83812230	1300	1364	95,31	95,70	7,3	270-320	280	1200	1660 x 1440 x 2477	1880	400

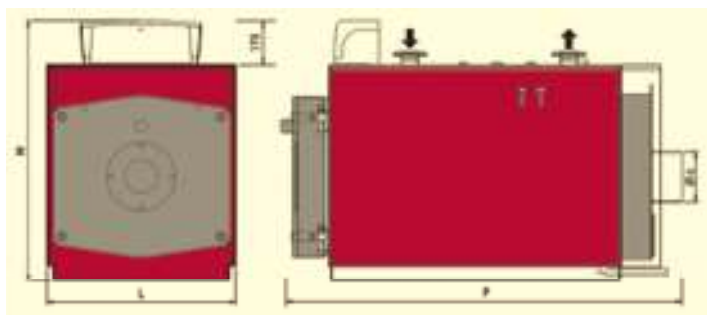
Maximum working pressure: 5 bar

Fuel: natural gas, LPG

Minimal return water temperature: 55°C

For higher pressure, please contact our Sales Dept.

ATTENTION: THE CONTROL PANEL IS SOLD SEPARATELY FROM BOILER. ALWAYS SPECIFY THE PANEL CODE WHEN PLACING AN ORDER CHOOSING FROM THOSE PROPOSED IN THE SECTION TO THE FOOTER.



Standard equipment

- Outer casing with high density insulation
- Turbolators
- Cleaning tool

Control Panel and Optional	Code	For details see
Thermostatic control panel	QAC10ELM	Page 55
Control panel with digital controller RVA 43 for on/off and high/low burners	QCLI4301	Page 52
Control panel with digital controller RVA 63 for modulating burners	QCLI6301	Page 52
Calorifier sensor for controllers RVA	17120078	Page 52
Volt free kit	KITDO01	Page 54

OUTPUT FROM 1400 TO 3500 KW



REX F

THREE PASS REVERSE FLAME WET BACK

The REX F boiler is a three pass reverse flame horizontal firetube boiler suitable for use on gaseous fuels. Thanks to the Fin-e ® system, the REX F boiler efficiency is rated at 3 star according to the 92/42/CEE, directive on efficiency, i.e. the maximum efficiency that can be achieved with a traditional boiler.

In addition it incorporates:

- flanged front plate without T-butt weld to the furnace
- dished furnace back and rear plate
- high water volume
- anti scale and anti condensate design
- lagged and clad with circular stucco aluminium casing which are fitted at the factory



Model	Boiler Code	Output	Input	Efficiency		Pressure Drop	Burner blast tube length	Burner hole Ø	Water volume	Dimensions	Weight	Ø C
		kW	kW	100%	30%	mbar	mm	mm	l	(H x L x P mm)	kg	mm
REX 140 F	83813210	1400	1468	95,37	95,87	6,6	350-400	320	1500	1746 x 1470 x 2886	2665	400
REX 160 F	83813220	1600	1675	95,52	95,80	7,1	350-400	320	1500	1746 x 1470 x 2886	2665	400
REX 180 F	83814210	1800	1885	95,49	95,70	7,6	450-500	320	1650	1746 x 1470 x 3096	2815	400
REX 200 F	83815210	2000	2094	95,51	95,80	6,6	450-500	360	2000	1876 x 1600 x 3220	3730	500
REX 240 F	83816210	2400	2518	95,31	95,40	8,1	450-500	360	2300	1876 x 1600 x 3480	3980	500
REX 300 F	83817210	3000	3142	95,48	95,60	8,6	450-500	400	3150	2146 x 1870 x 3480	5306	550
REX 350 F	83818210	3500	3670	95,37	95,87	9,6	450-500	400	3650	2146 x 1870 x 3935	5806	550

Maximum working pressure: 5 bar

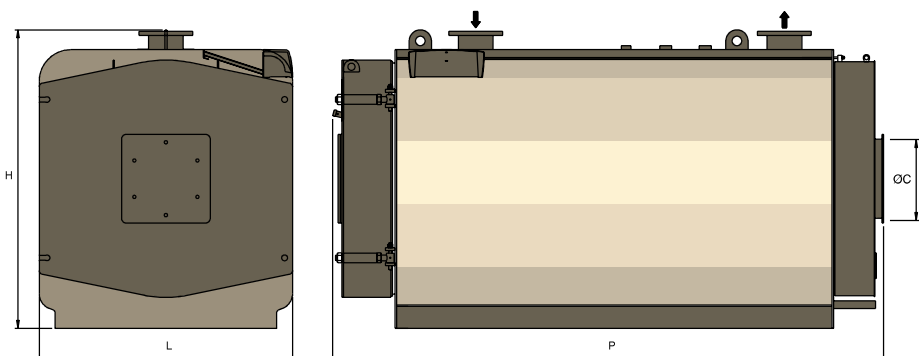
Fuel: natural gas, LPG

Minimal return water temperature: 55°C

For higher pressure, please contact our Sales Dept.



ATTENTION: THE CONTROL PANEL IS SOLD SEPARATELY FROM BOILER. ALWAYS SPECIFY THE PANEL CODE WHEN PLACING AN ORDER CHOOSING FROM THOSE PROPOSED IN THE SECTION TO THE FOOTER.



Standard equipment

- Outer casing with high density insulation
- Turbolators
- Cleaning tool

Control Panel and Optional

	Code	For details see
Thermostatic control panel	QAC10ELM	Page 55
Control panel with digital controller RVA 43 for on/off and high/low burners	QCLI4301	Page 52
Control panel with digital controller RVA 63 for modulating burners	QCLI6301	Page 52
Calorifier sensor for controllers RVA	17120078	Page 52
Volt free kit	KITDO01	Page 54