



WITH PREMIX BURNER

EFFICIENCY
★★★★

MONOLITE GT

CONDENSING BOILER

The MONOLITE GT has a very high efficiency (max. 109%) which places it at the peak of the classification according to European standards (Output Directive 92/42/EEC). The AISI 316 Ti furnace and vertical flues are capable of resisting attacks from acidic condensation.

The boiler is already equipped with a fully modulating premix burner, thus ensuring the highest performance, which is provided by:

- recovery of the latent heat by condensation of the water vapour present in the flue gases;
- extremely low flue temperature, equal to that of the return water plus about 10°C;
- reduction to a minimum of heat loss through the boiler casing, as the boiler may operate regularly alternating total off-periods without limits, below the water temperature;
- twin water return
- very low NOx and noise level.

Model	Boiler Code	Output		Input	Efficiency			Pressure Drop	Dimensions	Ø C	Weight
		70°C*	50-30°C**		70°C*	50-30°C**	50-30°C**				
		kW	kW	kW	100%	100%	30%	mbar	(H x L x P mm)	mm	kg
MONOLITE 45 GT	81020047	52	57	53	98,3	107,5	109	0,6	1825 x 936 x 1267	150	200
MONOLITE 70 GT	81020070	81	88	82	98,3	107,5	109	0,8	1825 x 936 x 1267	150	220
MONOLITE 95 GT	81020097	110	120	112	98,3	107,5	109	1,0	1825 x 963 x 1607	180	280
MONOLITE 125 GT	81020127	145	158	147	98,3	107,5	109	1,1	1825 x 963 x 1607	180	320

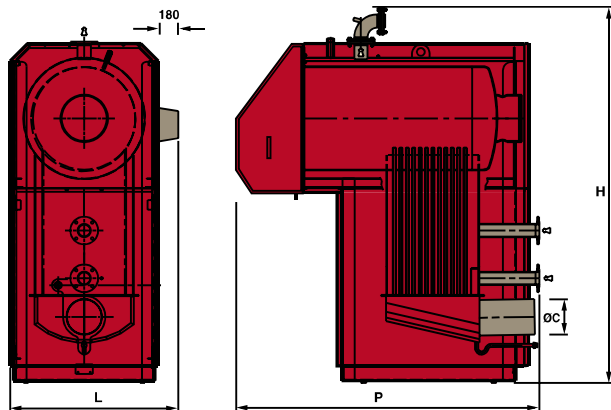
Maximum working pressure: 5 bar

Fuel: natural gas or LPG

No minimal return water temperature required

* Average temperature - ** Flow and return temperature

ATTENTION: THE CONTROL PANEL IS SOLD SEPARATELY FROM BOILER. ALWAYS SPECIFY THE PANEL CODE WHEN PLACING AN ORDER CHOOSING FROM THOSE PROPOSED IN THE SECTION TO THE FOOTER.



- **Standard equipment**
- Outer casing with high density insulation

Control Panel and Optional	Code	For details see
Thermostatic control panel	QC1ELM	Page 56
Control panel with digital controller RVA 43 for on/off and high/low burners	QCLI4301	Page 52
Control panel with digital controller RVA 63 for modulating burners	QCLI6301	Page 52
Calorifier sensor for controllers RVA	17120078	Page 52
Volt free kit	KITDO01	Page 54
Acid condense neutralizer	81020001	Page 54