



OUTPUT FROM 120 TO 700 KW

EFFICIENCY



GREENOx.e

THREE PASS WET BACK

The series GREENOx.e boilers are 3 pass design. They offer excellent results in terms of efficiency and low emissions, using traditional burners (yellow flame) or low-NOx burners (blue flame):

- environmentally friendly performance with low NOx combustion level
- high efficiency rated at 3 star according to the 92/42/CEE
- high water volume
- anti scale and anti condensate design
- reversible double door opening
- casing made of easy-to-mount painted steel panels

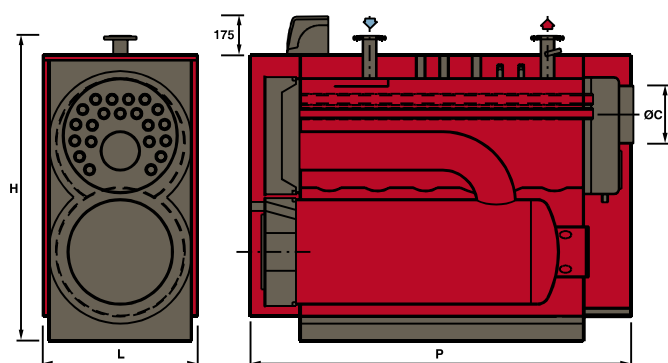
Model	Boiler Code	Output	Input	Efficiency		Pressure Drop	Burner blast tube length	Burner hole Ø	Water volume	Dimensions	Weight	Ø C
		kW	kW	100%	30%	mbar	mm	mm	l	(H x L x P mm)	kg	mm
GREENOx.e 10	83090095	109	115	94,78	95,70	1,2	200-250	160	296	1400 x 715 x 1735	615	200
GREENOx.e 12	83090100	120	126	95,24	95,70	1,4	200-250	160	296	1400 x 715 x 1735	615	200
GREENOx.e 15	83090130	150	157	95,54	96,05	2,5	200-250	160	296	1400 x 715 x 1735	615	200
GREENOx.e 20	83090160	200	210	95,24	95,57	2,6	200-250	160	296	1400 x 715 x 1735	615	200
GREENOx.e 25	83090200	250	262	95,42	95,95	2,5	200-250	170	412	1520 x 755 x 1895	735	250
GREENOx.e 30	83090250	300	315	95,24	95,73	3,9	200-250	170	412	1520 x 755 x 1895	735	250
GREENOx.e 35	83090300	350	367	95,37	95,90	3,9	200-250	225	505	1675 x 800 x 1948	850	250
GREENOx.e 40	83090350	400	420	95,24	95,76	4,7	200-250	225	505	1675 x 800 x 1948	850	250
GREENOx.e 47	83090400	470	493	95,33	95,80	4,6	200-250	225	738	1805 x 875 x 2227	1110	250
GREENOx.e 60	83090500	600	630	95,24	95,77	4,0	200-250	225	863	1925 x 945 x 2228	1390	250
GREENOx.e 70	83090600	700	734	95,37	95,85	5,6	200-250	225	863	1925 x 945 x 2228	1390	250

Maximum working pressure: 5 bar
For higher pressure, please contact our Sales Dept.

Fuel: natural gas, lpg, light oil

Minimal return water temperature: 55°C

ATTENTION: THE CONTROL PANEL IS SOLD SEPARATELY FROM BOILER. ALWAYS SPECIFY THE PANEL CODE WHEN PLACING AN ORDER CHOOSING FROM THOSE PROPOSED IN THE SECTION TO THE FOOTER.



Standard equipment

- Outer casing with high density insulation
- Turbolators
- Cleaning tool

Control Panel and Optional	Code	For details see
Thermostatic control panel	QAC10ELM	Page 55
Control panel with digital controller RVA 43 for on/off and high/low burners	QCLI4301	Page 52
Control panel with digital controller RVA 63 for modulating burners	QCLI6301	Page 52
Calorifier sensor for controllers RVA	17120078	Page 52
Volt free kit	KITDO01	Page 54

OUTPUT FROM 800 TO 2600 KW

EFFICIENCY



GREENOx.e

THREE PASS WET BACK

The series GREENOx.e boilers are 3 pass design. They offer excellent results in terms of efficiency and low emissions, using traditional burners (yellow flame) or low-NOx burners (blue flame):

- environmentally friendly performance with low NOx combustion level
- high efficiency rated at 3 star according to the 92/42/CEE
- high water volume
- anti scale and anti condensate design
- reversible double door opening
- lagged and clad with circular stucco aluminium casing which are fitted at the factory



Model	Boiler Code	Output	Input	Efficiency		Pressure Drop	Burner blast tube length	Burner hole Ø	Water volume	Dimensions	Weight	Ø C
		kW	kW	100%	30%	mbar	mm	mm	l	(H x L x P mm)	kg	mm
GREENOx.e 80	83090804	800	839	95,35	95,88	2,8	300-350	280	1200	1775 x 1380 x 2535	1970	350
GREENOx.e 90	83090900	900	944	95,34	95,92	3,5	300-350	280	1200	1775 x 1380 x 2535	1970	350
GREENOx.e 100	83091004	1000	1050	95,24	95,76	2,6	360-410	280	1365	1825 x 1490 x 2589	2760	400
GREENOx.e 120	83091204	1200	1259	95,31	95,83	4,0	360-410	320	1365	1825 x 1490 x 2589	2760	400
GREENOx.e 140	83091400	1400	1469	95,30	95,84	5,5	360-410	320	1570	1825 x 1490 x 2899	2995	400
GREENOx.e 170	83091700	1700	1784	95,29	95,79	6,3	360-410	320	1880	1965 x 1640 x 2941	3700	400
GREENOx.e 200	83092000	2000	2099	95,28	95,79	8,8	360-410	360	2340	1965 x 1640 x 3441	4330	400
GREENOx.e 230	83092300	2300	2415	95,24	95,77	9,4	360-410	360	2340	1965 x 1640 x 3441	4330	400
GREENOx.e 260	83092600	2600	2840	95,20	95,80	12,0	360-410	360	2754	1965 x 1640 x 3941	5050	400
GREENOx.e 300	83093000	3000	3150	95,24	95,80	14,0	360-410	360	2754	1965 x 1640 x 3941	5050	400

Maximum working pressure: 5 bar

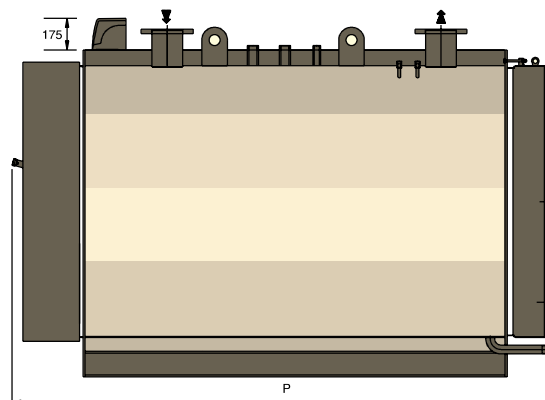
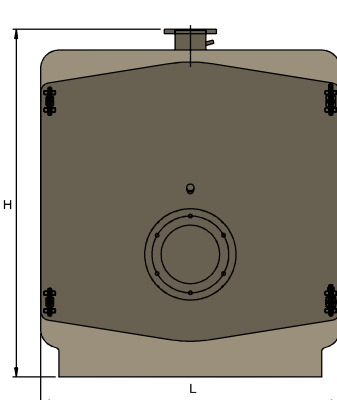
Fuel: natural gas, lpg, light oil

Minimal return water temperature: 55°C

For higher pressure, please contact our Sales Dept.



**ATTENTION: THE CONTROL PANEL IS SOLD SEPARATELY FROM BOILER.
ALWAYS SPECIFY THE PANEL CODE WHEN PLACING AN ORDER CHOOSING
FROM THOSE PROPOSED IN THE SECTION TO THE FOOTER.**



Standard equipment

- Outer casing with high density insulation
- Turbolators
- Cleaning tool

Control Panel and Optional

	Code	For details see
Thermostatic control panel	QAC10ELM	Page 55
Control panel with digital controller RVA 43 for on/off and high/low burners	QCLI4301	Page 52
Control panel with digital controller RVA 63 for modulating burners	QCLI6301	Page 52
Calorifier sensor for controllers RVA	17120078	Page 52
Volt free kit	KITDO01	Page 54