



AX Steam Boiler

WORKING PRESSURE:
12 AND 15 BAR

ICI steam boiler model AX is a reverse flame three pass wet back horizontal boiler. The boiler is fully packaged for easy installation and requires only connection to power, water supply, steam and blow down lines. The construction utilises high quality material and the welds are checked by radiographic scanning and dye penetrants.

Please note that the steam production is from feed water at 80°C.



Model	Boiler code	Output		Input		Steam production kg/h	Working pressure bar	Dimensions (H x L x L1* x P in mm)	Weight kg
		kW	kcal/h	kW	kcal/h				
AX 200	86140200	233	200.000	260	224.000	340	12	1600 x 1480 x 1130 x 2060	1.500
AX 300	86140300	349	300.000	392	337.000	510	12	1780 x 1640 x 1290 x 2095	1.800
AX 400	86140400	465	400.000	522	449.000	680	12	1800 x 1640 x 1290 x 2345	2.100
AX 500	86140500	581	500.000	652	561.000	850	12	1980 x 1800 x 1450 x 2385	2.600
AX 600	86140600	698	600.000	784	674.000	1.020	12	2010 x 1800 x 1450 x 2635	3.000
AX 800	86140800	930	800.000	1.044	898.000	1.370	12	2160 x 1950 x 1600 x 2665	3.600
AX 1000	86141000	1.163	1.000.000	1.306	1.123.000	1.700	12	2220 x 1950 x 1600 x 2965	4.300
AX 1200	86141200	1.395	1.200.000	1.567	1.348.000	2.040	12	2370 x 2100 x 1730 x 3165	4.900
AX 1500	86141500	1.744	1.500.000	1.959	1.685.000	2.560	12	2550 x 2260 x 1890 x 3415	5.500
AX 1750	86141750	2.035	1.750.000	2.286	1.966.000	3.000	12	2550 x 2260 x 1890 x 3715	6.500
AX 2000	86142000	2.326	2.000.000	2.613	2.247.000	3.410	12	2710 x 2450 x 2000 x 3785	7.300
AX 2500	86142500	2.907	2.500.000	3.266	2.809.000	4.270	12	2900 x 2600 x 2150 x 4285	8.500
AX 3000	86143000	3.488	3.000.000	3.919	3.370.000	5.100	12	3000 x 2700 x 2250 x 4630	9.700

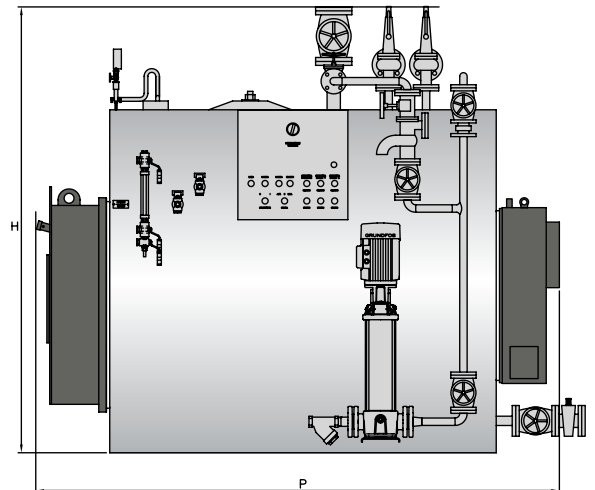
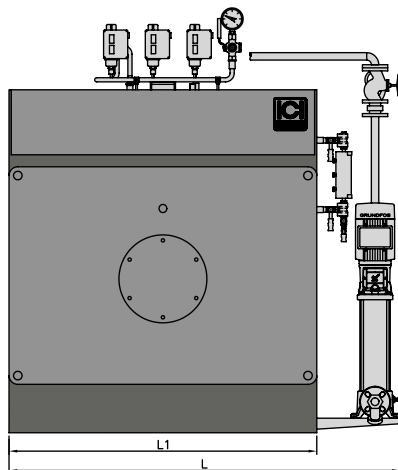
Standard equipment

The boiler comes as a complete package with:

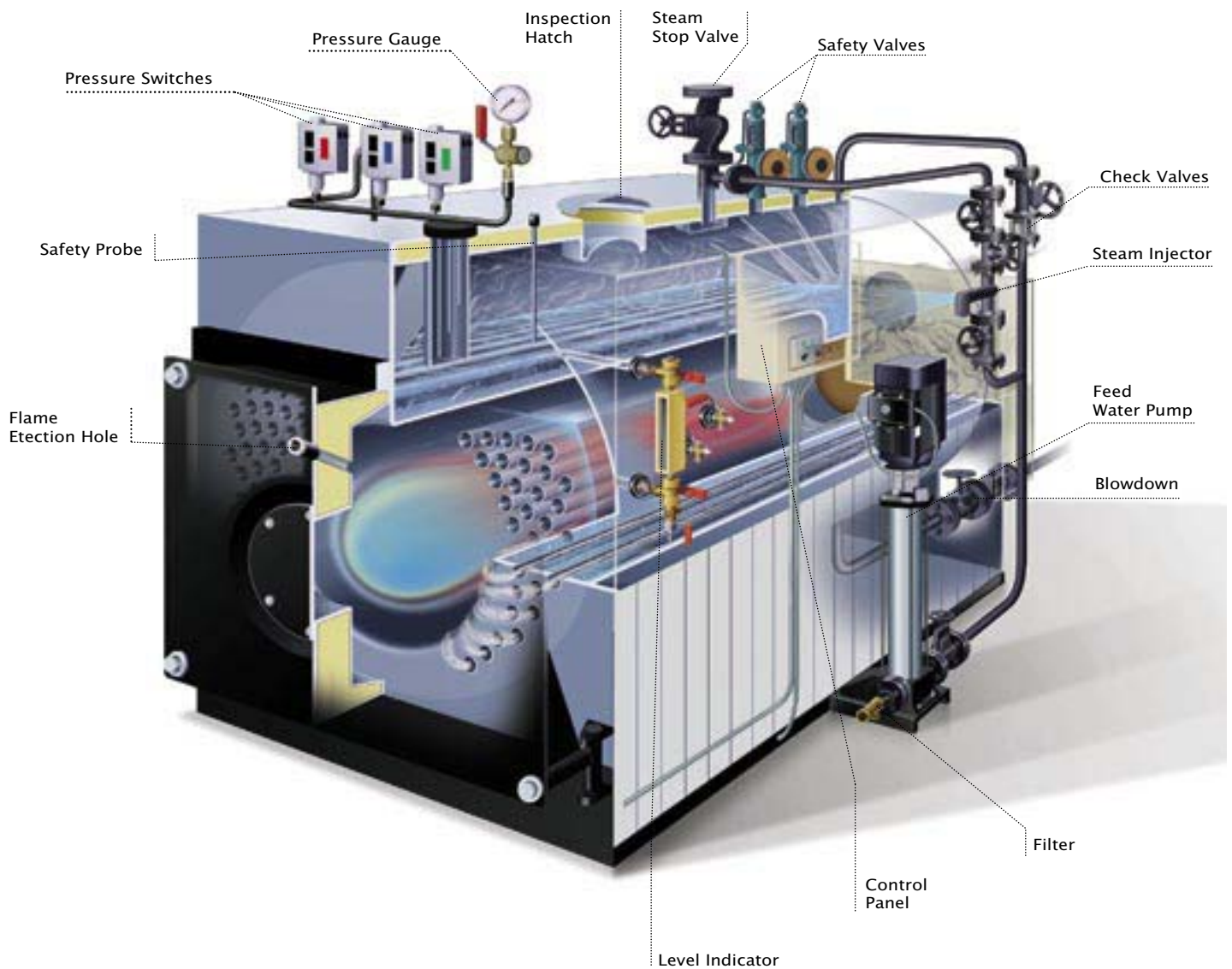
- regulation and safety accessories (electronic level control, safety probes, limit pressure switch, safety pressure switch, safety valve)
- feed water equipment (pump, injector, isolating valves, non-return valves)
- level indicator

- pressure gauge
- water level cocks
- main steam stop valve
- blow down equipment: blow down stop valve and isolating valve
- control panel, connected with all the electric devices IP 54

Always specify, when placing an order, the electric voltage and the scheduled fuel for the suitable control panel wiring harness.



* L1 IS THE BOILER WIDTH WITHOUT ACCESSORIES



Optional

- Standby feed water equipment
- Second level indicator
- Modulating feed water system
- Automatic boiler blowdown system
- Economiser
- Automatic boiler TDS control